

PRIMUS RX RANGE HIGH EFFICIENCY RIGID MOUNTED INDUSTRIAL WASHER EXTRACTORS

RX180 - 20KG / 44LB

RX240 - 27KG / 60LB

RX280 - 32KG / 70LB

KEY FEATURES

- ▶ Rigid mounted, normal spin, 200 G-factor
- ▶ Stainless steel top panel & Anthracite grey front and side panels
- ▶ Stainless steel drum and tub
- ▶ Xcontrol - easy to use microprocessor
- ▶ Patented Soap Hopper
- ▶ High capacity water inlets (RX280)
- ▶ Large drain valve (Ø 76 mm)
- ▶ Easy access to all vital parts from the front
- Large door opening for easy loading

OPTIONS

- ▶ 200 G-factor execution
- ▶ Xcontrol Plus - Fully programmable
- ▶ Coin operated timer (CPS)
- ▶ Stainless steel front and side panels
- ▶ USB+ RS485 plug (on the back panel)
- ▶ Easy Soap - liquid soaps connection
- ▶ Liquid soap pumps
- ▶ Water recovery kit
- ▶ Steam heating version
- ▶ 3rd water inlet
- ▶ High capacity water inlets (RX180, 240)
- ▶ 7 mm drum perforation (RX180-240)
- ▶ IP44 protection



DIMENSIONS

	RX180	RX240	RX280
Width (mm)	890	890	890
Depth (mm)	915	1060	1135
Height (mm)	1410	1410	1410

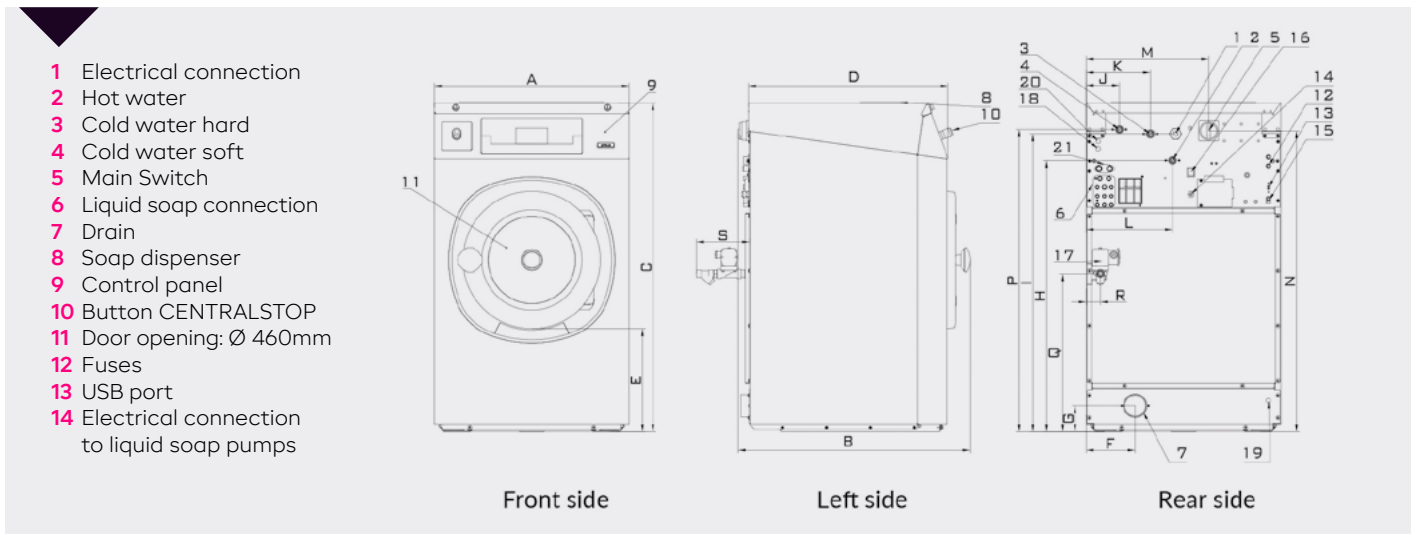
primus

GET AHEAD IN LAUNDRY 

PRIMUS DX RANGE SPECIFICATIONS

		RX180	RX240	RX280
Innerdrum				
Maximum capacity 1:9	kg (lb)	20 (44)	27 (60)	32 (70)
Capacity 1:10	kg (lb)	18 (40)	24 (52)	28 (62)
Volume	litres	180	240	280
Diameter	mm	750	750	750
Drum Speed				
Wash	rpm	42	42	42
Extraction	rpm	490 (690)*	490 (690)*	490 (690)*
G-factor		100 (standard) 200*	100 (standard) 200*	100 (standard) 200*
Heating				
Electricity (standard)	kW	12/18	18	18/21,9
Steam	bar	1 - 8	1 - 8	1 - 8
Hot water	°C	90	90	90
Sound pressure level	dB (A)	< 65	< 65	< 65
Water valves connection	BSP	3/4"	3/4"	3/4"
Water pressure	kPa	100-800	100-800	100-800
Rec. water pressure	kPa	300-500	300-500	300-500
Water inlet	l/min	20	20	20 -50
Drain valve outer	Ø mm	76	76	76
Flow amount with drain valve	l/min	210	210	210
Steam valve connection	BSP	1/2"	1/2"	1/2"
Steam pressure	kPa	100-800	100-800	100-800
Dimensions				
Size H×W×D	mm	1410x890x915	1410x890x1060	1410x890x1135
Net weight	kg	255(315)*	275(355)*	290(385)*
Transport Data				
Packed H×W×D	mm	1550x925x970	1550x925x1130	1550x925x1190

***200 G-factor execution**



	A	B	C	D	E	F	G	H	I	J	K	L	M	N	P	Q	R	S
RX180	890	915	1410	815	465	280	130	1212	1297	113	218	303	625	1270	1317	528	54	120
RX240	890	1060	1410	960	465	280	130	1212	1297	113	218	303	625	1270	1317	528	54	120
RX280	890	1135	1410	1035	465	280	130	1212	1297	113	218	303	625	1270	1317	528	54	120