

**SCHULTHESS
PROLINE W-SERIES
WASHING MACHINES**

- W65 - 8KG**
- W80 - 9KG**
- W100 - 11KG**
- W130 - 14KG**
- W160 - 18KG**

KEY FEATURES

- ▶ Freestanding, high-speed washing machine
- ▶ Powder-coated steel housing, matt grey
- ▶ Stainless steel drum and outer drum
- ▶ Intuitive operation with 4.3-inch colour display
- ▶ Control system «Expert»
- ▶ Ergonomic detergent dispenser
- ▶ Laundry trap protection
- ▶ Convenient loading/unloading through large door
- ▶ Hot water connection
- ▶ Drain valve
- ▶ Time preselection up to 7 weekdays
- ▶ Up to 24 languages
- ▶ Autoclean (Models W130, W160)
- ▶ Connection for 8 liquid detergent dosing pumps (Models W65, W80, W100)

OPTIONS

- ▶ Control system «Expert+»
- ▶ Stainless steel housing
- ▶ USB interface
- ▶ Machine plinth 280mm/270mm
- ▶ Machine plinth with lint filter drawer
- ▶ Drain pump
- ▶ Machine hygiene monitoring via USB
- ▶ Art-Line (anthracite)
- ▶ PrePaid Card System (RFID) (Models W130, W160)

DIMENSIONS

	W65	W80	W100	W130	W160
Width (mm):	696	696	696	790	790
Depth (mm):	820	820	915	935	1035
Height (mm):	1210	1210	1210	1360	1360



COST

- ▶ Compact, robust and durable quality product
- ▶ Low maintenance, saves costs
- ▶ Environmentally friendly wetClean

EFFICIENCY

- ▶ Fast washing cycles
- ▶ Proficlean (Models W130, W160)
- ▶ Freely programmable wash cycles
- ▶ Intuitive touch control panel
- ▶ Simple, safe operation

RESULTS

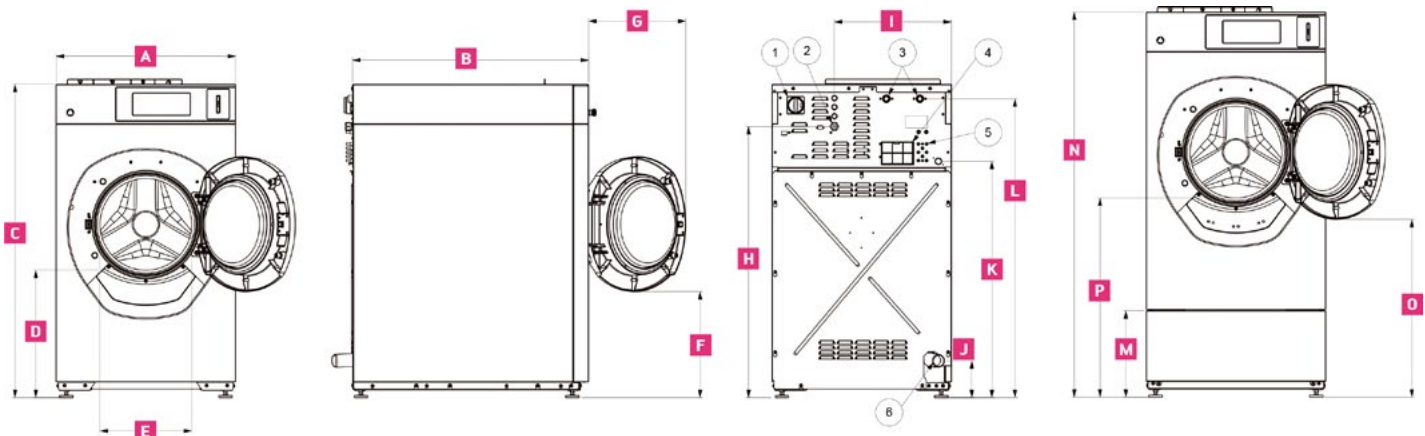
- ▶ Hygiene safety
- ▶ Disinfection programmes
- ▶ Hygiene monitoring
- ▶ Perfect washing results

SCHULTHESS PROLINE W-SERIES SPECIFICATIONS

		W65	W80	W100	W130	W160
Product number		4201.1	4202.1	4203.1	4204.1	4205.1
Properties						
Fill ratio (1:9)	kg	7	9	11	14	18
Filling quantity (1:10)	kg	6.5	8	10	13	16
Drum volume	litres	65	80	100	130	160
Drum opening diameter	Ø mm	355	355	355	450	450
Drum diameter	mm	517	517	517	620	620
Drum depth	mm	302	372	464	427	527
Spin speed	rpm	1200	1200	1200	1100	1100
G-factor		416	416	416	419	419
Residual moisture	%	46	46	46	48	48
Programme duration cold water connection ²	minutes	52	55	57	55	55
Programme duration hot water connection 70°C ²	minutes	46	47	48	46	46
Energy consumption ^{3/4)}	in kWh	1.1 / 0.34	1.5 / 0.42	1.7 / 0.42	2.4 / 0.45	3.1 / 0.45
Water consumption ²	litres	56	67	90	112	144
Electrical Requirements						
Supply voltage	V	400 3N~ / 50 Hz	400 3N~ / 50 Hz	400 3N~ / 50 Hz	400 3N~ / 50 Hz	400 3N~ / 50 Hz
Connected load	kW	10	10	10	14.9	18.0
Electric heating	kW	9.0	9.0	9.0	14.5	17.6
Drive	kW	1.0	1.0	1.0	1.5	1.5
Protection	A	16	16	16	25	32
Plumbing Requirements						
Water pressure on site	MPa	0.15 –1.0	0.15 –1.0	0.15 –1.0	0.15 –1.0	0.15 –1.0
Cold water hard inflow ¾-inc h	litre/min	>13	>13	>13	>13	>13
Hot water supply from central boiler max. 70°C ¾-inch	litre/min	>13	>13	>13	>13	>13
Drain quantity drain valve Ø 50 mm / Ø 75 mm	litre/min	260	260	260	260	260
Drain pump diameter 22 mm	litre/min	32	32	32	-	-
Control System						
		Expert/Expert +	Expert/Expert +	Expert/Expert +	Expert/Expert +	Expert/Expert +
Standard programmes		•/•	•/•	•/•	•/•	•/•
24 programmes, freely programmable		•/•	•/•	•/•	•/•	•/•
ProfiClean sets		-/•	-/•	-/•	-/•	-/•
Disinfection programmes		-/•	-/•	-/•	-/•	-/•
WetClean programmes		-/•	-/•	-/•	-/•	-/•

Explanations:

- not available • available ²⁾Cotton 60°C without pre-wash ³⁾Cotton 60°C prg. cold water ⁴⁾Cotton 60°C prg. hot water 70°C



	A	B	C	D	E	F	G	H	I	J	K	L	M	N	O	P	Weight
W65	696	820	1210	500	355	355	380	1050	455	150	915	1160	330	1490	690	780	200
W80	696	820	1210	500	355	355	380	1050	455	150	915	1160	330	1490	690	780	210
W100	696	915	1210	500	355	355	380	1050	455	150	915	1160	330	1490	690	780	220
W130	790	935	1360	530	450	450	-	1200	590	150	-	1300	330	1630	720	800	350
W160	790	1035	1360	530	450	450	-	1200	590	150	-	1300	330	1630	720	800	365

1 Main switch 2 Electrical connection 3 Water connection 4 Overflow / Venting 5 Connection for liquid detergent 6 Drain pipe