

PRIMUS FX RANGE HIGHLY EFFICIENT SOFT MOUNTED WASHER EXTRACTORS

FX65 - 7KG / 15LB

FX80 - 8KG / 18LB

FX105 - 10.5KG / 23LB

FX135 - 13.5KG / 30LB



KEY FEATURES

- ▶ Freestanding high spin (up to 1165 RPM - FX65,80)
- ▶ Stainless steel top panel
- ▶ Stainless steel drum and tub
- ▶ Xcontrol - easy to use microprocessor
- ▶ Patented soap hopper
- ▶ Large drain valve (Ø 76mm)
- ▶ Easy access to all vital parts from the front
- ▶ Large door opening for easy loading

OPTIONS

- ▶ Xcontrol Plus - Fully programmable
- ▶ Coin operated timer (CPS)
- ▶ Stainless steel front and side panels
- ▶ USB + RS485 plug on back panel
- ▶ Easy soap - liquid soap connections
- ▶ Liquid soap pumps
- ▶ Water recovery kit
- ▶ Steam heating version
- ▶ Drain pump (FX65, 80)
- ▶ 3rd water inlet

DIMENSIONS

	FX65	FX80	FX105	FX135
Width (mm)	710	710	795	795
Depth (mm)	740	790	795	945
Height (mm)	1115	1115	1225	1225

primus

GET AHEAD IN LAUNDRY 

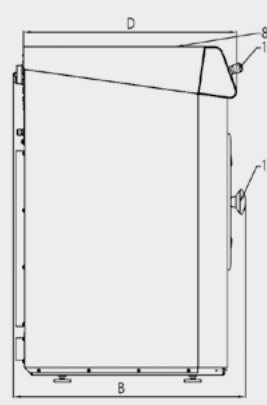
PRIMUS FX RANGE SPECIFICATIONS

		FX65	FX80	FX105	FX135
Innerdrum					
Maximum capacity 1:9	kg (lb)	6.5 (13)	8 (18)	10.5 (24)	13.5 (31)
Capacity 1:10	kg (lb)	6.5 (13)	8 (18)	10.5 (24)	13.5 (31)
Volume	litres	65	75	105	135
Diameter	mm	530	530	620	620
Drum Speed					
Wash	rpm	49	49	49	49
Extraction	rpm	1165	1165	1075	1075
G-factor		400	400	400	400
Heating					
Electricity (standard)	kW	6 / 9	6 / 9	6 / 9 / 12	9 / 12
Steam	bar	1 - 8	1 - 8	1 - 8	1 - 8
Hot water	°C	90	90	90	90
Sound pressure level	dB (A)	< 65	< 65	< 65	< 65
Water valves connection	BSP	3/4"	3/4"	3/4"	3/4"
Water pressure	kPa	100-800	100-800	00-800	100-800
Rec. water pressure	kPa	300-500	300-500	300-500	300-500
Water inlet	l/min	20	20	20	20
Drain valve outer	Ø mm	76	76	76	76
Flow amount with drain valve	l/min	210	210	210	210
Steam valve connection	BSP	1/2"	1/2"	1/2"	1/2"
Steam pressure	kPa	100-800	100-800	100-800	100-800
Dimensions					
Size H×W×D	mm	1115×710×740	1115×710×790	1225×795×795	1225×795×945
Net weight	kg	170	185	210	255
Transport Data					
Packed H×W×D	mm	1245×750×840	1245×750×840	345×835×840	1345×835×985
Gross weight	kg	180	200	235	275

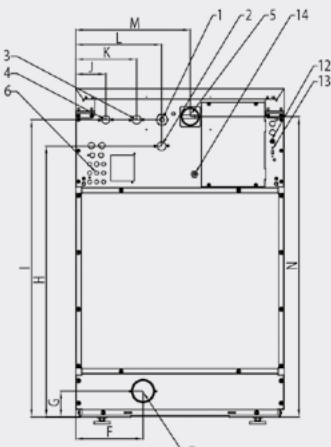
- 1 Electrical connection
- 2 Hot water
- 3 Cold water hard
- 4 Cold water soft
- 5 Main Switch
- 6 Liquid soap connection
- 7 Drain
- 8 Soap dispenser
- 9 Control panel
- 10 Button CENTRALSTOP
- 11 Door opening,
FX65, FX80: Ø 330mm
FX105, FX135: Ø 410mm
- 12 Fuses
- 13 USB port
- 14 Electrical connection
to liquid soap pumps



Front side



Left side



Rear side

	A	B	C	D	E	F	G	H	I	J	K	L	M	N	O
FX65	710	740	1115	676	349	230	82	914	1004	113	218	293	390	1020	24
FX80	710	790	1115	726	13.5 (31)	230	88	920	1010	113	218	293	390	1020	24
FX105	795	795	1225	761	135	230	88	1030	1120	103	208	293	475	1130	24
FX135	795	945	1225	911	620	230	88	1030	1120	103	208	293	475	1130	24