



**CARETUA**  
WORKING TOGETHER WITH CARE

# Panamatic Mini Bedpan Washer Disinfector

Redefining Infection Control



# Redefining Infection Control

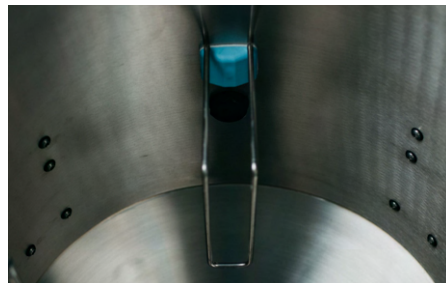
Our range of DDC Dolphin bedpan washer disinfectors have been developed over decades to provide you with a fast and safe human waste disposal system with passive safety measures to minimise the risk of infection. Designed to empty, wash and disinfect human waste containers such as bedpans, commode pots and urine bottles, our bedpan washer disinfectors incorporate the latest technological advances.

The Panamatic Mini bedpan washer disinfector balances size and function, whilst still offering our cutting-edge cleaning technology.

Designed for low-use environments and capable of disinfecting up to 2 reusable utensils per cycle, it allows for high-pressure cleaning in a cycle time of just 6 minutes to help maximise efficiency.

## Benefits

- 1 Reduce cross contamination of infectious materials and minimise the risk of ward outbreaks, keeping staff and patients safe.
- 2 Incorporates the latest technological advances and able to achieve thermal disinfection levels in line with HSE periodic testing guidelines.
- 3 Smaller capacity model to suit lower usage healthcare environments.
- 4 Extremely thorough wash performance, eliminating 99.99% of known bacteria.



# Panomatic Mini Features

**2 Smaller capacity to suit low usage environments**  
– can clean 1 bedpan and 1 urine bottle per cycle.

**Rapid 6-minute washing disinfection cycle**  
– eco-friendly and cost effective.

**Completely hands free, no touch operation**  
– reducing the risk of infections spreading to clinicians and further patients.

**Top-loading**  
– for a simple loading and emptying process.

**High quality materials and components**  
– including antimicrobial coatings and smooth, crevice-free surfaces, reducing the presence of trapped harmful bacteria.

**Antimicrobial surfaces**  
– to minimise cross infection and reduce the possibility of microbial growth.



**Automatic scale management system**  
– suitable for soft and hard water areas, to prevent blockages.

**Unique multi-utensil racking design**  
– extremely convenient with one rack to fit all standard bedpan sizes.

**Rotating wash nozzles and strategically sited spray jets**  
– ensure a superior wash performance.

**Optional programmable audio**  
– in your own language to ensure correct and proper use by staff.

**Compact** – to save space, making it suitable for all room types and sizes.

**Standard electrical supply**  
– so you can connect and go!

# Technical Specifications

## General

Stainless Steel grade:	304
Dimensions w x h x d (lid closed):	500 x 1042 ±3 x 600mm
Dimensions w x h x d (lid open):	500 x 1500 ±3 x 600mm
Weight (Machine Only):	70kg
Weight (Packed):	85kg
Weight (Export):	90kg
Capacity:	1 pot + 1 urine bottle
Operation cycle time:	6 minutes
Decibel rating:	49.4dBA

## Electrical

110V Voltage:	N/A
230V Voltage:	230V / 50Hz with dedicated 13A breaker (Minimum)
230 Voltage:	230V / 60Hz with dedicated 13A breaker (Minimum)
Circuit protection (230 Voltage):	30mA RCD, GFI, IEC60364 compliant
Cable connection (230 Voltage):	3 core sheathed x 1.5mm <sup>2</sup> . 2m long
3 Phase Voltage:	N/A
Circuit protection (3 Phase Voltage):	N/A
Cable connection (3 Phase Voltage):	N/A
Rated power input:	2.55kW
Electrical consumption per cycle:	0.285kWh
Steam generator power:	2.5kW
Motor power:	N/A
Pump power:	0.425kW

## Water

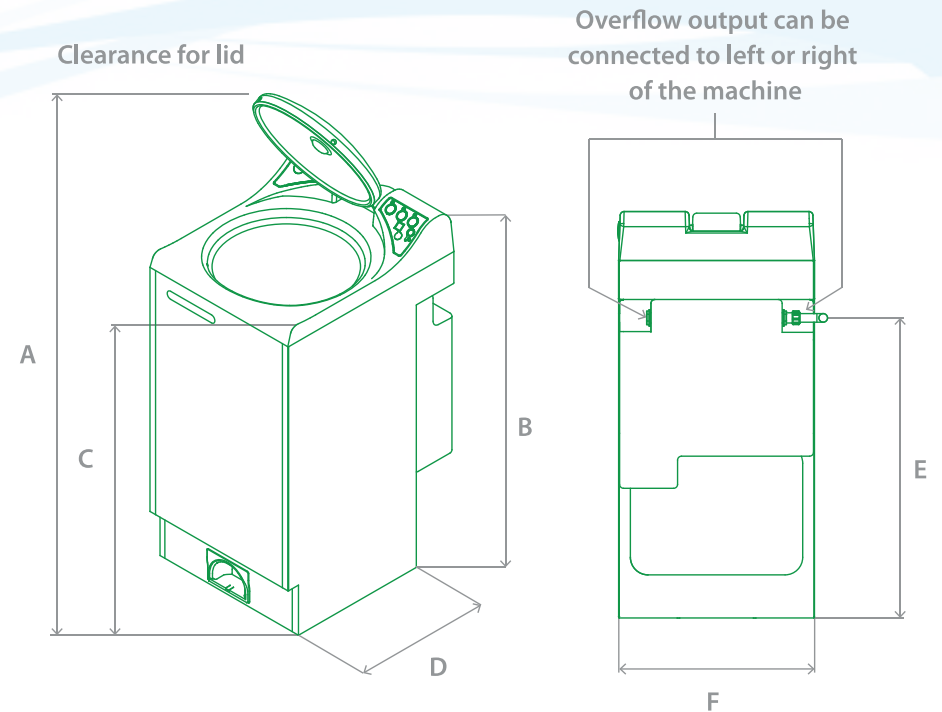
Water connection:	¾" BSP male fittings required (washing machine hose)
Water pressure:	Cold water 0.5-10 bar
Water flow rate (Min):	10L per minute at 1 bar
Water tank capacity:	20L
Water consumption per cycle:	20.4L
Waste connection:	75mm ID (3") Pushfit
Overflow connection:	22mm

## Disinfection

Recommended disinfection detergents:	EcoWash
Disinfection tank volume (external):	5L
Disinfection dosing per cycle:	30mL

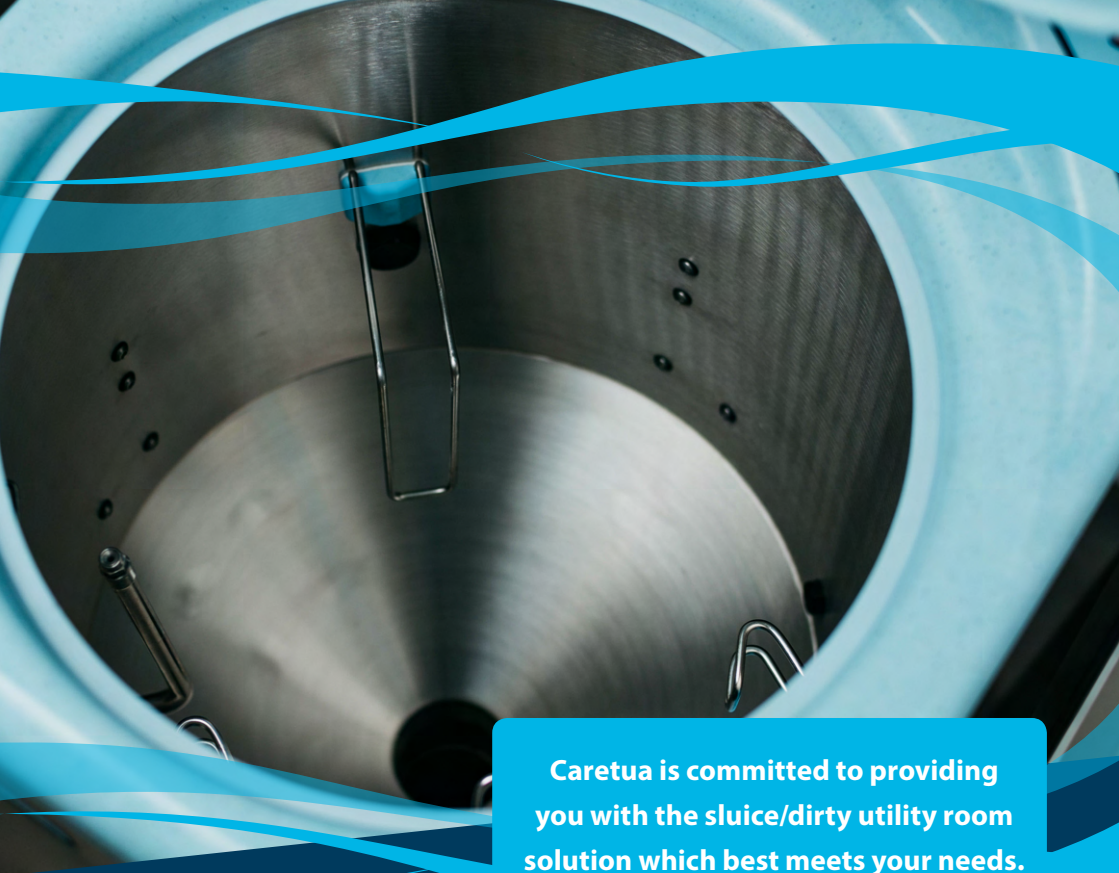
\*Specifications subject to change

# Dimensions



	Millimetres
<b>A</b>	1500 ±3
<b>B</b>	1042 ±3
<b>C</b>	960
<b>D</b>	600
<b>E</b>	766
<b>F</b>	500





Caretua is committed to providing you with the slucifier/dirty utility room solution which best meets your needs. Get in touch to discuss your requirements.



**CARETUA**  
WORKING TOGETHER WITH CARE



**Caretua**  
Unit 3 Westpoint Business Park  
Mulhuddart  
Dublin 15  
D15 R295



[www.caretua.com](http://www.caretua.com)



+353 (1) 443 3390



[info@caretua.com](mailto:info@caretua.com)

