



MAYTAG MDE28PN TUMBLE DRYER



DIMENSIONS:

Height: 1162mm
Width: 686mm
Depth: 737mm

CAPACITY:

9kg

IDEAL FOR:



EDUCATION



HOSPITALITY

FEATURES:

- ▶ Turbovent Dryer Technology
- ▶ Additional blower wheel provides exceptional performance in long vents
- ▶ High airflow reduces dry time
- ▶ Durable finish for high-use environments
- ▶ Easy one-touch cycle selection for customers

- ▶ Provides simple programming options for owner: including adjustable cycle price, cycle time, diagnostics and vend count

OPTIONS:

- ▶ Coin operated
- ▶ models available
- ▶ Vented, Gas or Electric Heated Stackable with MH33PN

PROGRAMMES:

- ▶ MAYTAG CONNECT 360 COMPATIBLE

Delivers real-time machine diagnostic to any tablet, computer or smartphone via the cloud. Management and feedback features offer owners the ultimate in machine control keeping you informed regarding pricing, service and diagnosis from anywhere you have access to the internet.

ONECARE^{OC} This machine is eligible for our all inclusive service solution, One Care.

MAYTAG MDE28PD

Motor

Single-Phase, Thermoprotected Against Overload, Auto Reset	Yes
Hp	1/2 (.25) kW
Tumble Speed	50 + 1 rpm

Capacity

Capacity cu. ft. (litres)	6.7 (190)
---------------------------	-----------

Airflow

Gas Models cfm (cmm)	230 (6.5)
Electric Models cfm (cmm)	215 (6.1)

Sound Level

Sound Pressure Level lpa (dba)	58
--------------------------------	----

Electrical Requirements (V)

Electrical Requirements (V)	220-240v/50hz
-----------------------------	---------------

Breaker/Fuse

Mde Export Model amps	25
Mde Export Model amps	10

Electric Heating Element

Electric Heating Element	4,600 W
--------------------------	---------

Gas Rating

Mdg Model - Btu/Hr (Kcal/Hr.)	20,000 (5,040) W
Exhaust Duct Diameter- In (Mm)	4 (100)*

Electronic Burner Ignition

Mdg Model	Yes
-----------	-----

Gas Inlet

Mdg Model (Inches)	3/8 N.P.T
Adjustable Leveling Legs	Yes

Approximate Weight

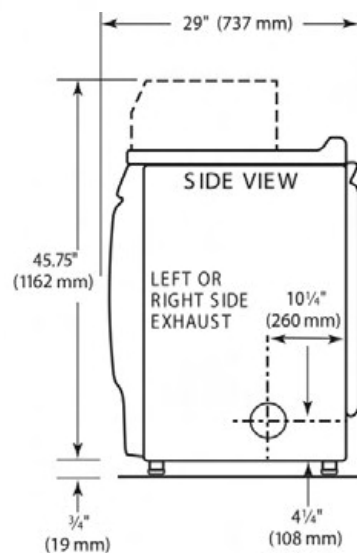
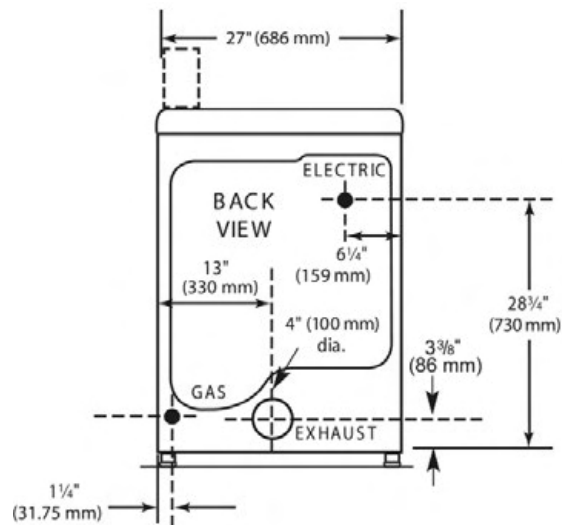
Crated - lbs. (kg) electric/gas	160 (73)/113 (74)
Uncrated - lbs. (kg) electric/gas	147 (67)/150 (68)

Dimensions

Width-In	27 (686mm)
Depth-In	29 (737mm)
Height-In	45.75 (1,162mm)
Door Opening Diameter-In	18.25 (464mm)

Optional Plinth Adds

Height-In	2.75 (70mm)
-----------	-------------



*Use 4" (100 mm) diameter rigid aluminum or galvanized steel duct. Never use plastic, non-metal or combustible duct.
 **Includes height of metercase.
 See specific instructions for proper installation.
 Because of continuous product improvement, Maytag reserves the right to change specifications without notice.