



SCHULTHESS PROLINE D490 PROLINE D650



MODELS:

D490

D650

DIMENSIONS:

HxWxD: 1635x1050x1040mm




HxWxD: 1635x1050x1290mm

CAPACITY:

24kg

33kg

SUITABLE FOR:

	 INDUSTRIAL	 HOSPITALITY	 HEALTHCARE	 ANIMAL CARE	 EDUCATION	 PUBLIC SECTOR	 VENDED LAUNDRY
D490	✓	✓	✓	✓	✓	✓	✓
D650	✓	✓	✓	✓	✓	✓	✓

FEATURES:

- ▶ Freestanding, high-speed
- ▶ Powder-coated steel housing, matt grey
- ▶ Stainless steel drum
- ▶ Intuitive touch operation with 4.3" colour display
- ▶ «Expert» control system
- ▶ 19 standard programmes
- ▶ 23 language options

- ▶ Designed for over 30,000 operating hours
- ▶ Fluff filter drawer
- ▶ Adjustable door hinge

OPTIONS:

- ▶ WLAN interface for programme and software updates
- ▶ Standard machine plinth
- ▶ Mains blocking set (load shedding/current peak)

ONECARE^{cc} This machine is eligible for our all inclusive service solution, One Care.

**service
Master[®]**

This machine is compatible with our smart laundry solution, serviceMaster

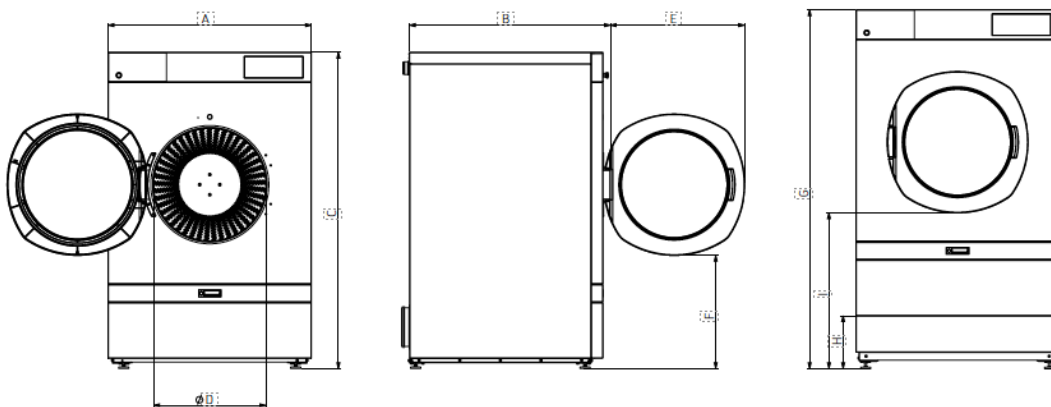
LEADER OF THE **WOLF** LAUNDRY GROUP

**BREWER &
BUNNEY**

PEE GEE
PROFESSIONAL LAUNDRY SOLUTIONS

FLOW
By WOLF

SCHULTHESS PROLINE DRYERS	D490	D650
Product number	4256.1	4257.1
Properties		
Load (1:20)	24kg	33kg
Drum capacity	490l	650l
Drum diameter	975 mm	975 mm
Drum depth	656 mm	875 mm
Diameter of filling aperture	580 mm	580 mm
Ventilation installation		
Extraction rate (max.) m3/h	1250	1250
Air outlet Ø mm	200	200
Cable resistance on site max. Pa	480	480
Electrical connection		
Supply voltage (V)	400 3N~ / 50 Hz	400 3N~ / 50 Hz
Connected load	30 kW	37 kW
Heat output	29 kW	36 kW
Performance drive	0.75 kW	0.75 kW
Fuse protection	50 AT	63 AT



Dimensions	A	B	C	D	E	F	G	H	I	Weight (kg)
W490	1050	1040	1635	580	695	585	1855	275	805	300
W650	1050	1150	1555	450	580	535	1815	275	805	330